

FPS



60 HZ SSI SERIES

Submersible Stainless Steel Pumps
6", 8", 10"

QUOTE WITH  **FE SELECT**

franklinwater.com

 **Franklin Electric**

60 HZ SSI SERIES SUBMERSIBLE PUMPS

Overview	2
Features	2
Applications	2
Specifications	2
Model No. Explanation	2
Family Performance Curve	3
Performance	4
6" 85 GPM	4
6" 150 GPM	6
6" 225 GPM	7
6" 260 GPM	8
6" 300 GPM	9
8" 425 GPM	10
8" 475 GPM	11
10" 550 GPM	12
10" 625 GPM	13
10" 825 GPM	14
10" 1150 GPM	15
Ordering Information	16
6" 85-300 GPM	16
8" 425-475 GPM	17
10" 550-1150 GPM	17
Dimensions	18
6" 85-300 GPM	18
8" 425-475 GPM	19
10" 550-1150 GPM	19
Materials	20
6" 85 GPM	20
6" 150-300 GPM	22
8" 425-475 GPM	24
10" 550-1150 GPM	26

For the most up-to-date product information, visit franklinwater.com.

OVERVIEW

The SSI Series Submersible Pumps meet the demanding pumping challenges in irrigation, agricultural, industrial, and municipal applications. Available in 6-inch, 8-inch, and 10-inch models with flows up to 1,300 gpm, this stamped stainless steel pump family is fully serviceable and corrosion resistant. Its I-Blade technology offers stronger internal components for improved efficiency, while tungsten inert gas (TIG) progressive welding creates stronger welds.

FEATURES

- High quality die-cut stainless steel impellers and diffusers for durability in demanding applications
- Stainless steel construction for corrosion resistance
- Patented I-Type blade assembly reduces hydraulic friction and improves pump efficiency
- High standard of energy efficiency for a reduced cost of operation
- Nitrile wear rings and fluted bearings ensure durability against wear for long-lasting performance and reliability
- Four-strap design reduces irregular compression loading
- Built-in check valve to protect pump against water hammer
- Fully serviceable

APPLICATIONS

- Irrigation
- Agricultural
- Municipal
- Commercial
- De-watering

SPECIFICATIONS

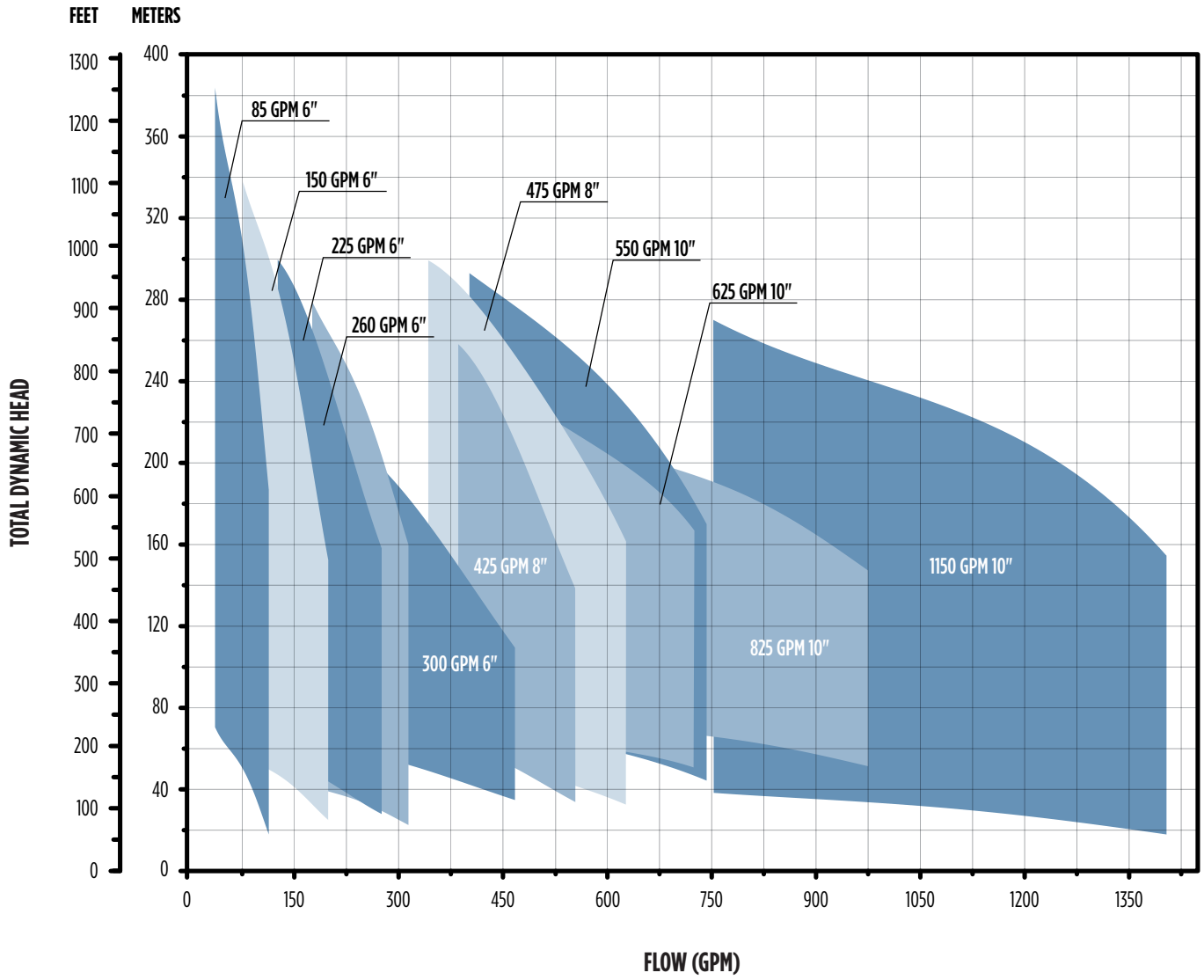
- 304 series stainless steel
- 60 Hz operation
- 3", 4", 5", and 6" NPT discharge
- 140 °F / 60 °C maximum operating temperature
- 2 mm solids handling

MODEL NO. EXPLANATION

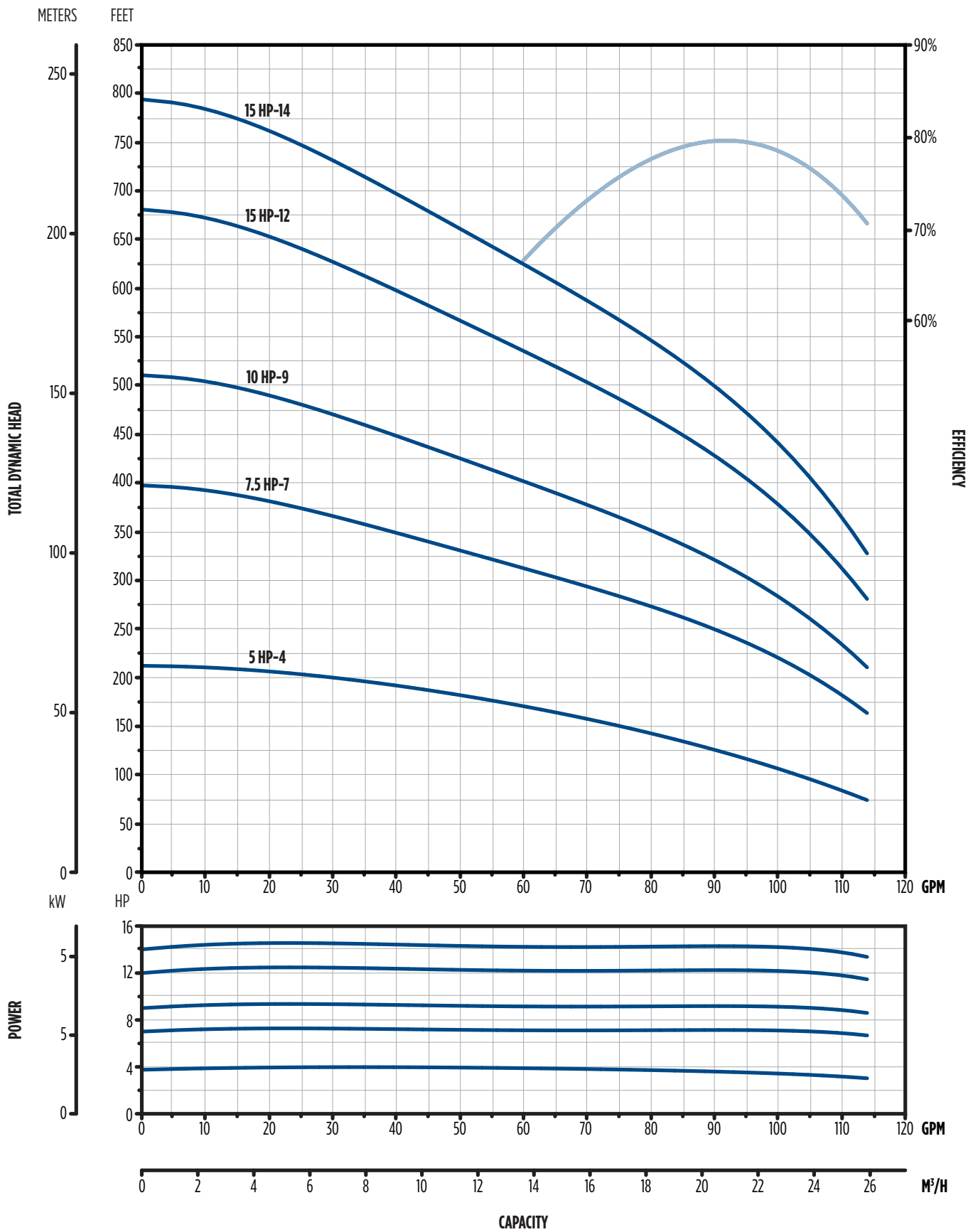
- Example: 85SSI05F66-0443
- 85 = Flow series m³/h
- SSI = Series
- 05 = Motor hp
- F = 304 stainless steel
- 6 = 6" diameter pump
- 6 = 60 Hz
- 04 = Number of stages
- 4 = Motor size (4")
- 3 = 3" discharge NPT



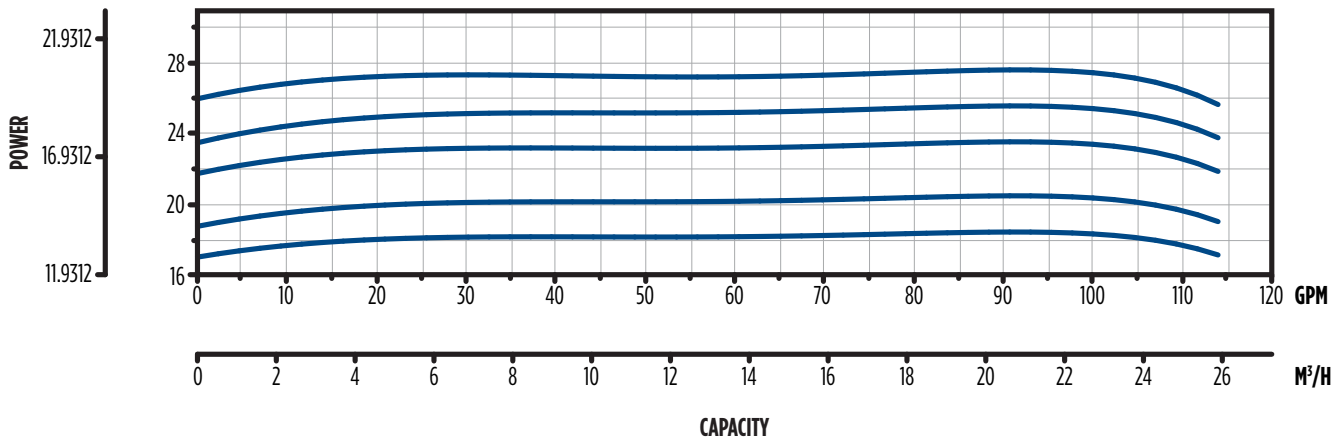
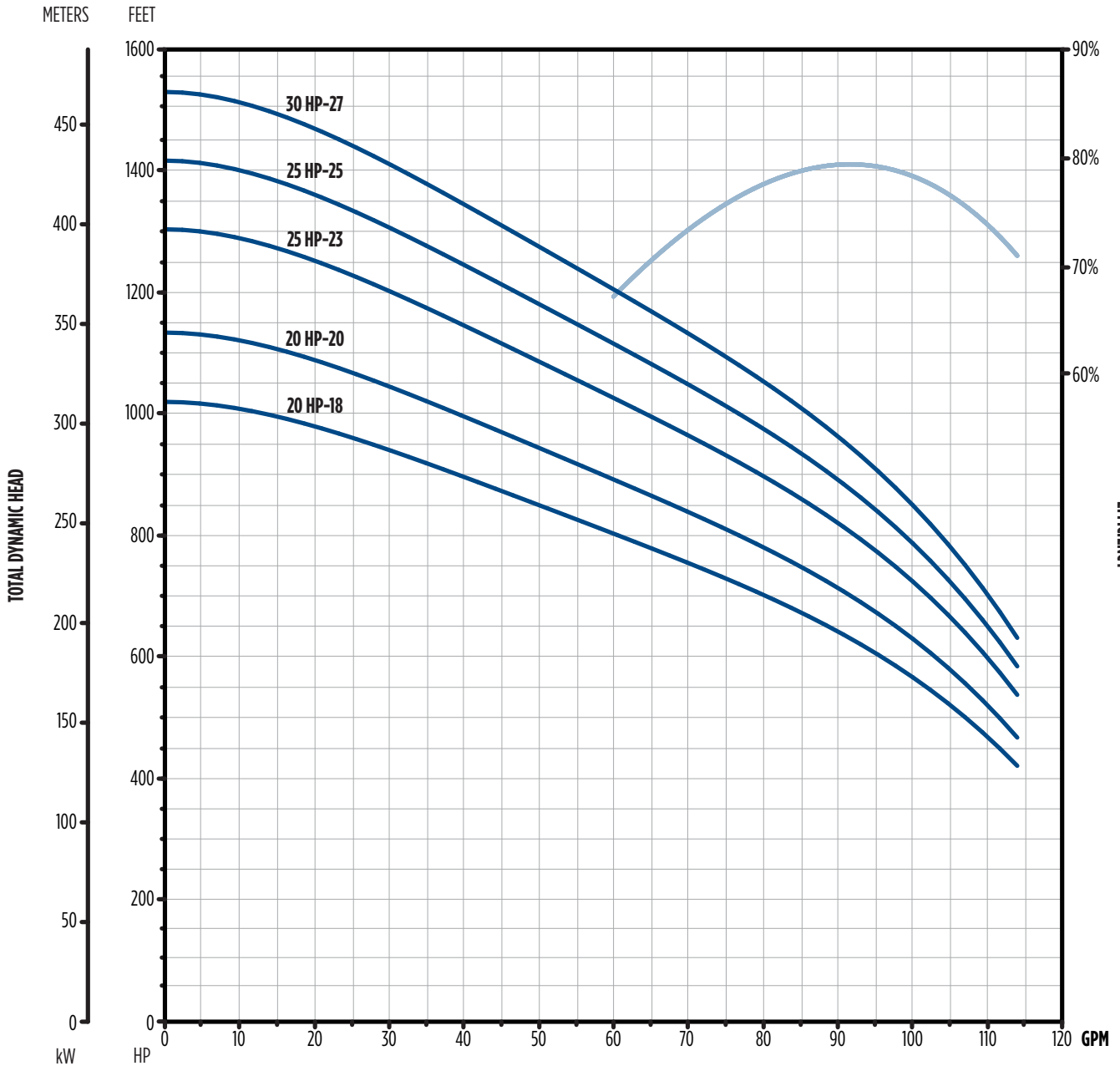
FAMILY PERFORMANCE CURVE



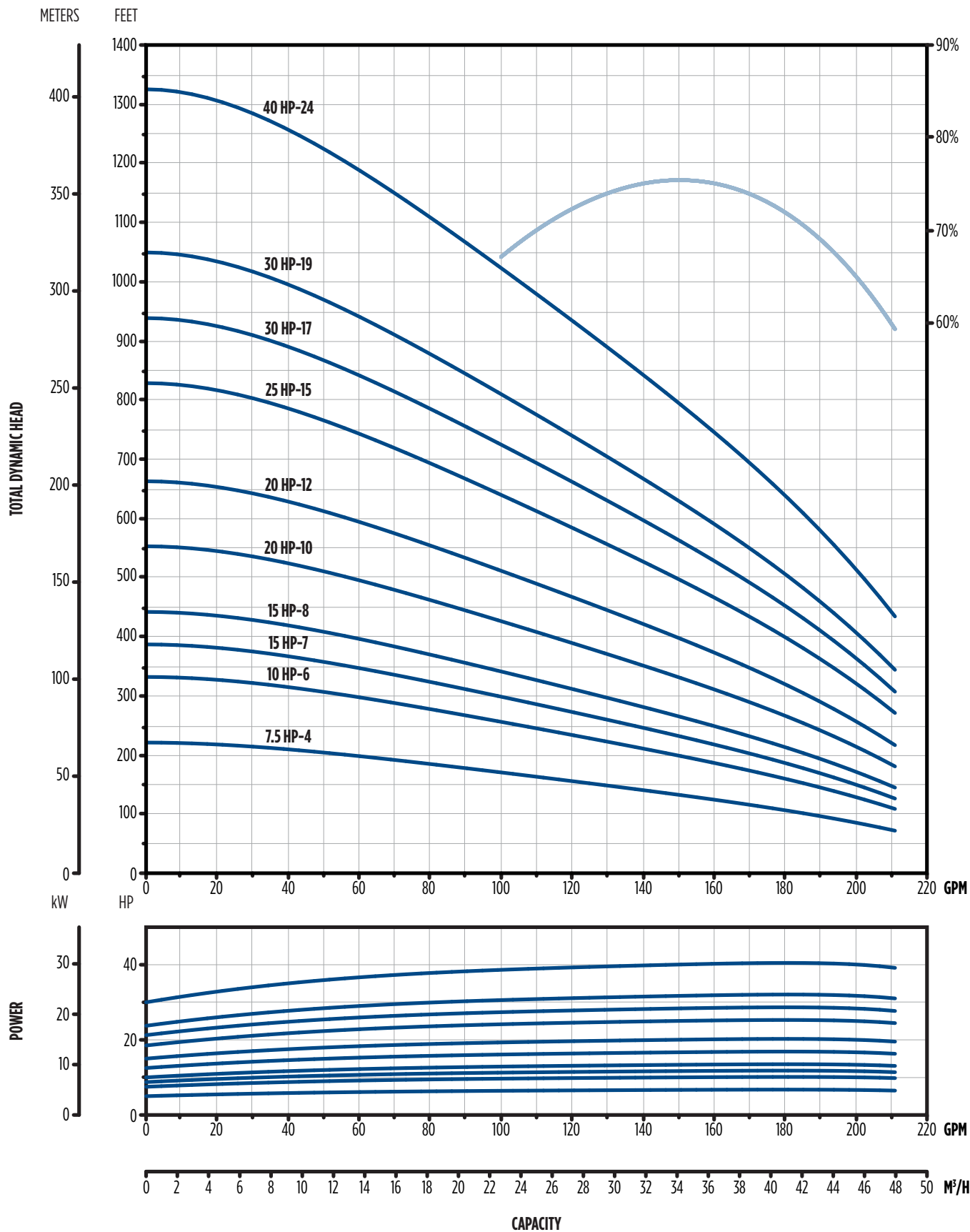
PERFORMANCE - 6" 85 GPM



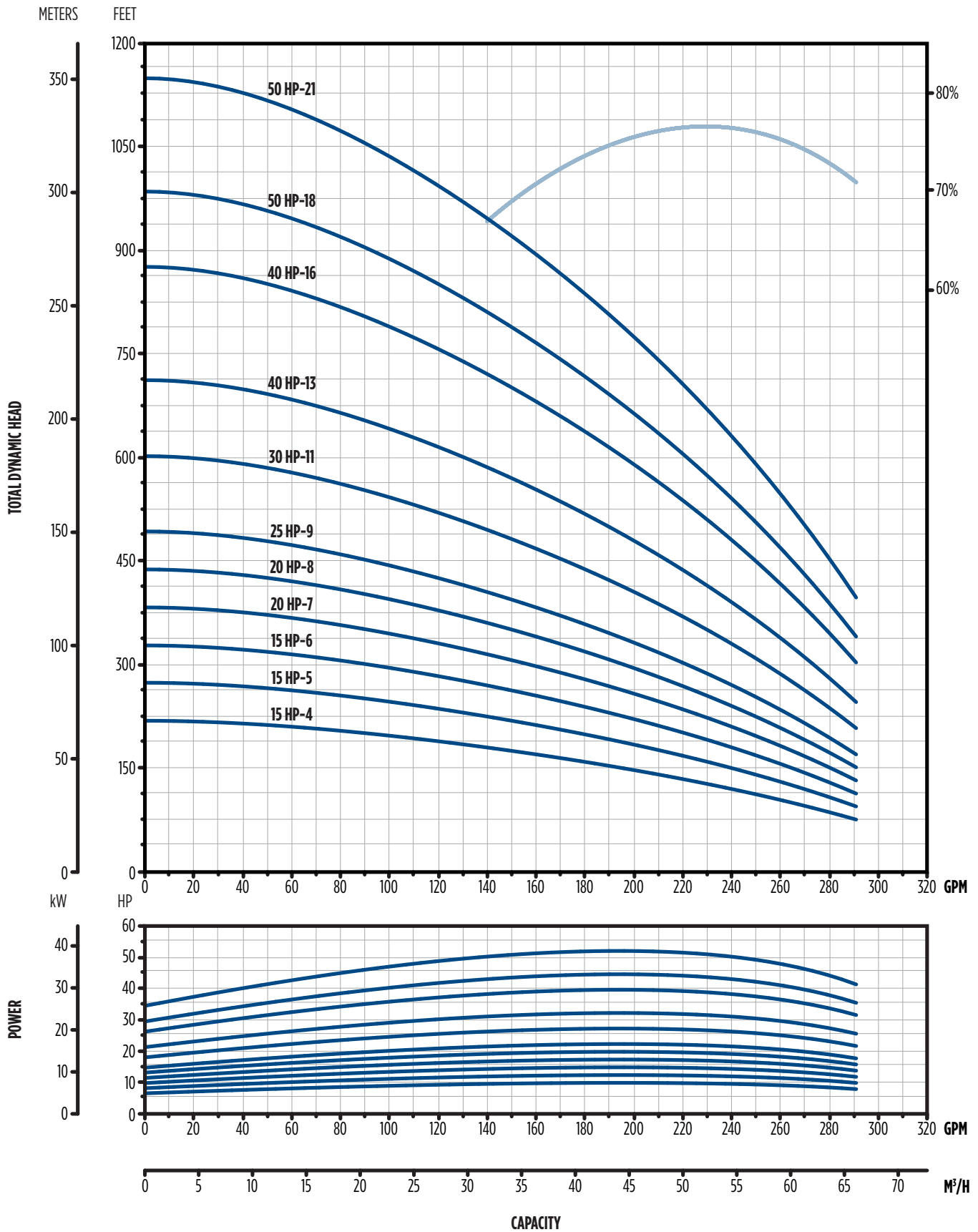
PERFORMANCE - 6" 85 GPM



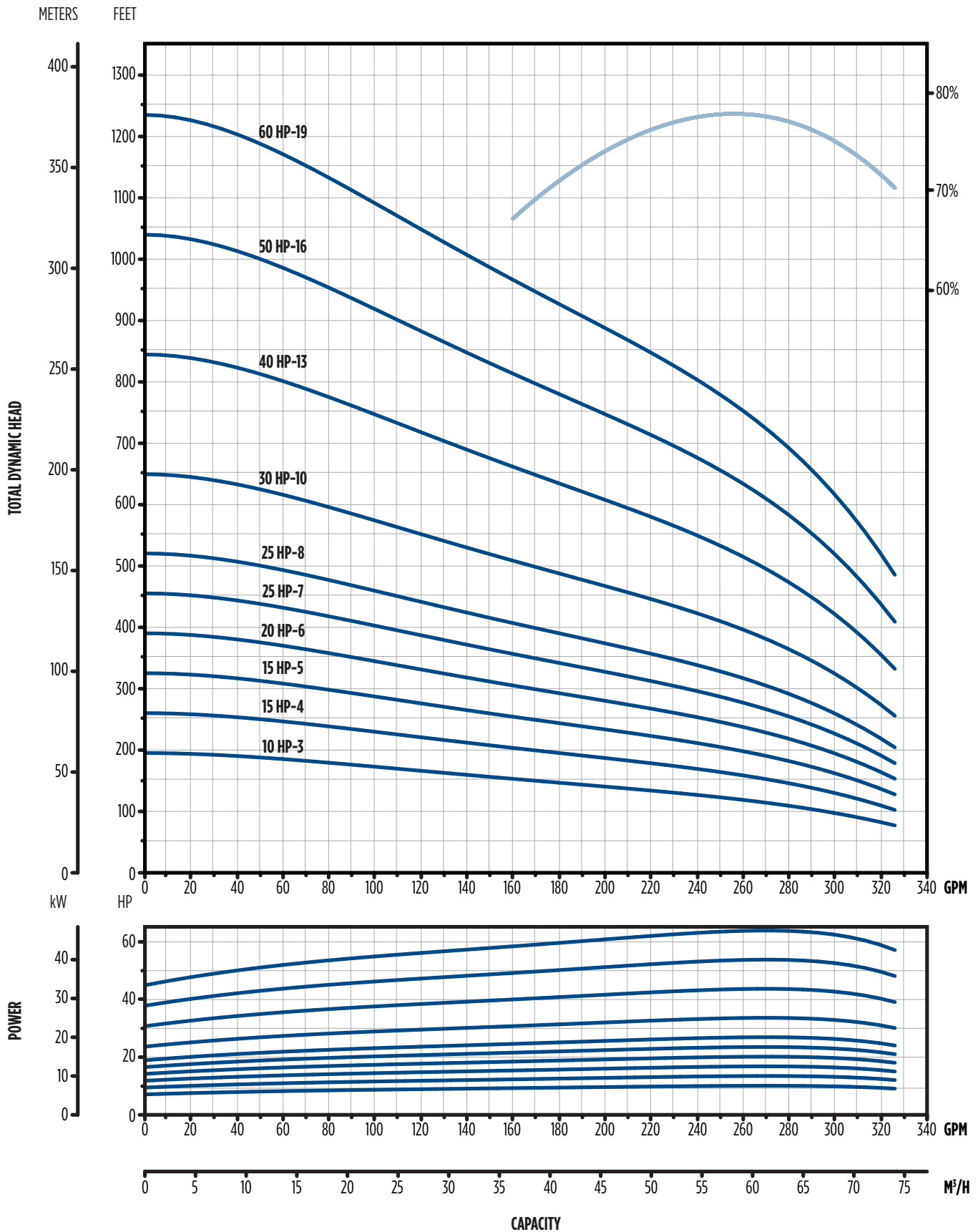
PERFORMANCE - 6" 150 GPM



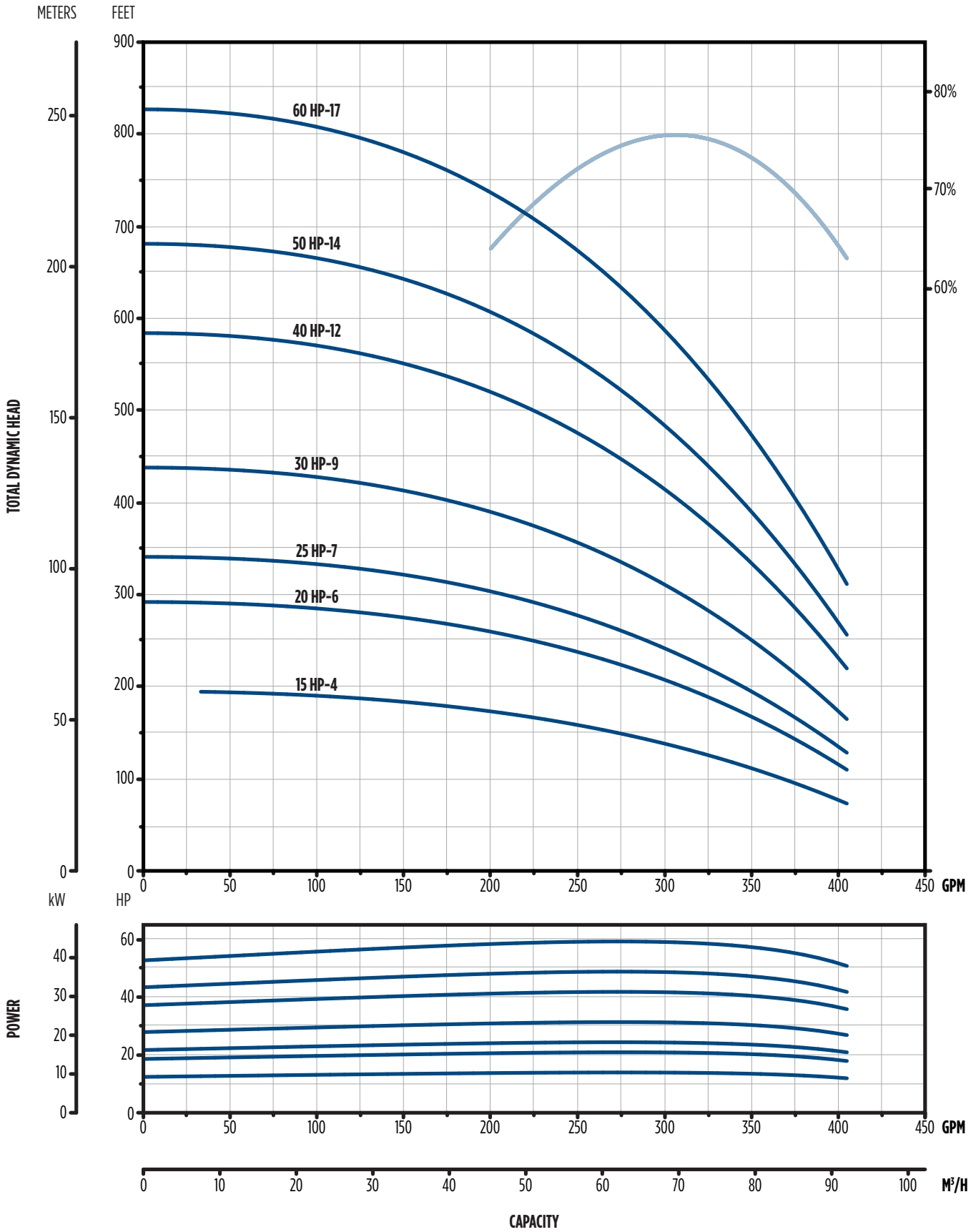
PERFORMANCE - 6" 225 GPM



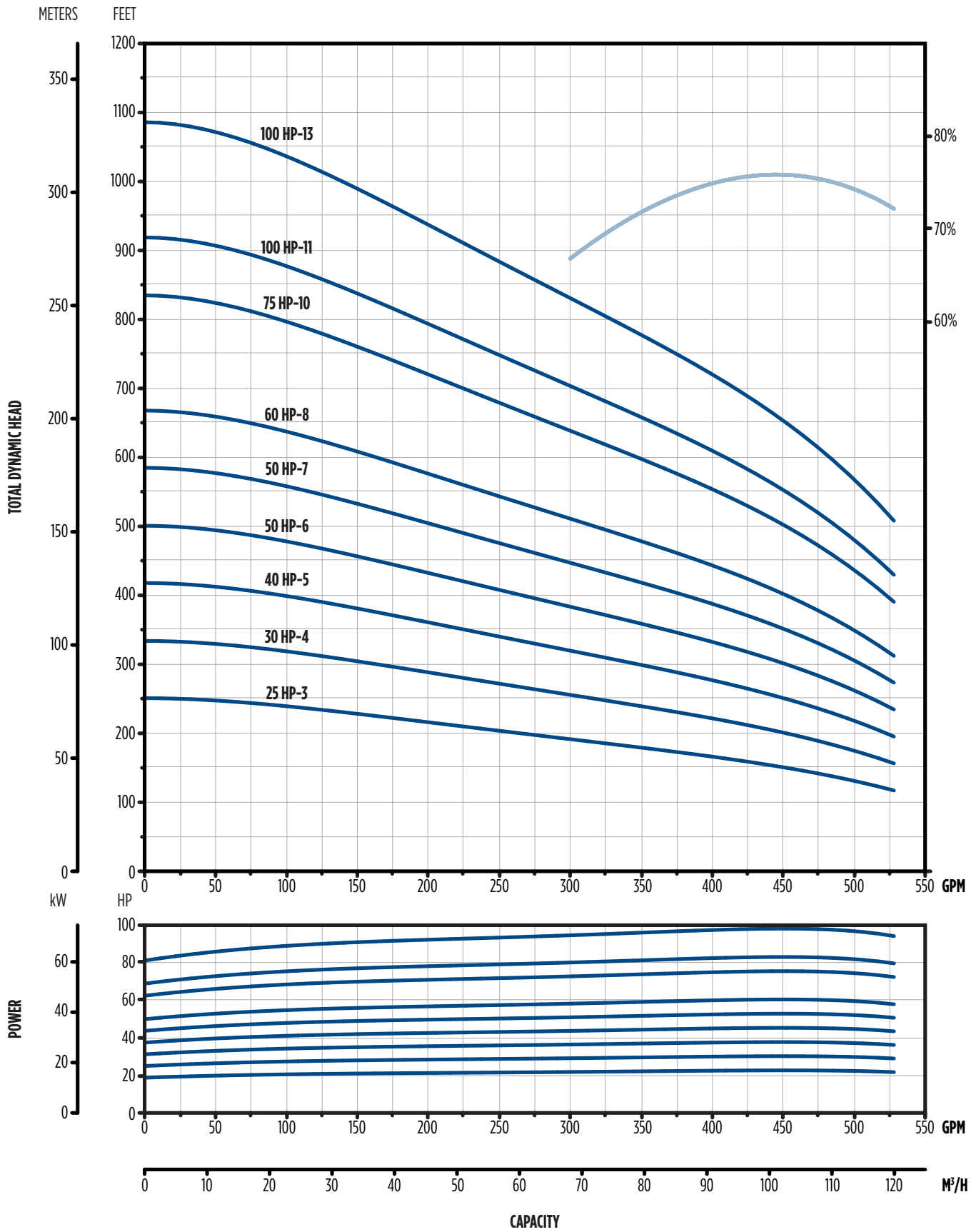
PERFORMANCE - 6" 260 GPM



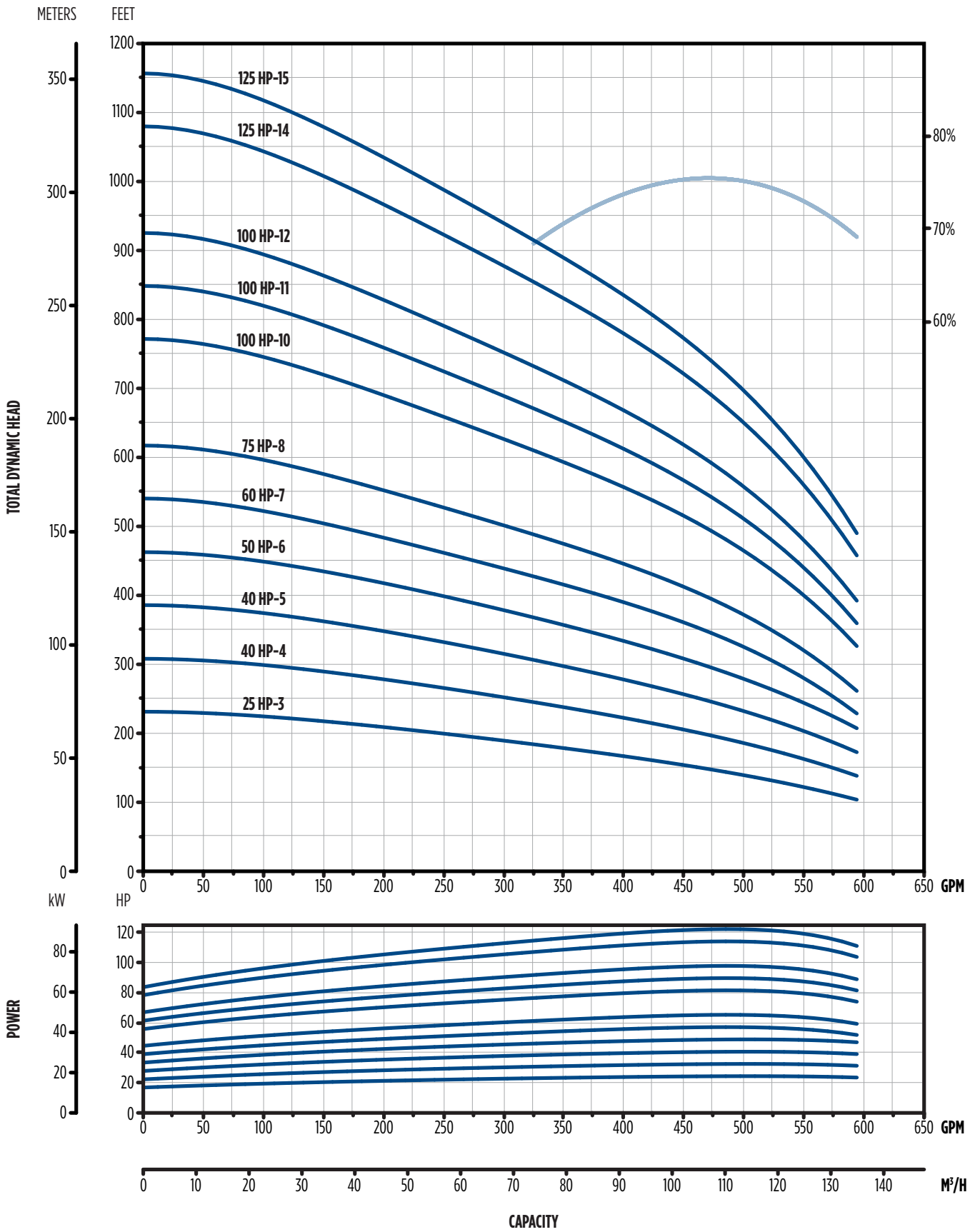
PERFORMANCE - 6" 300 GPM



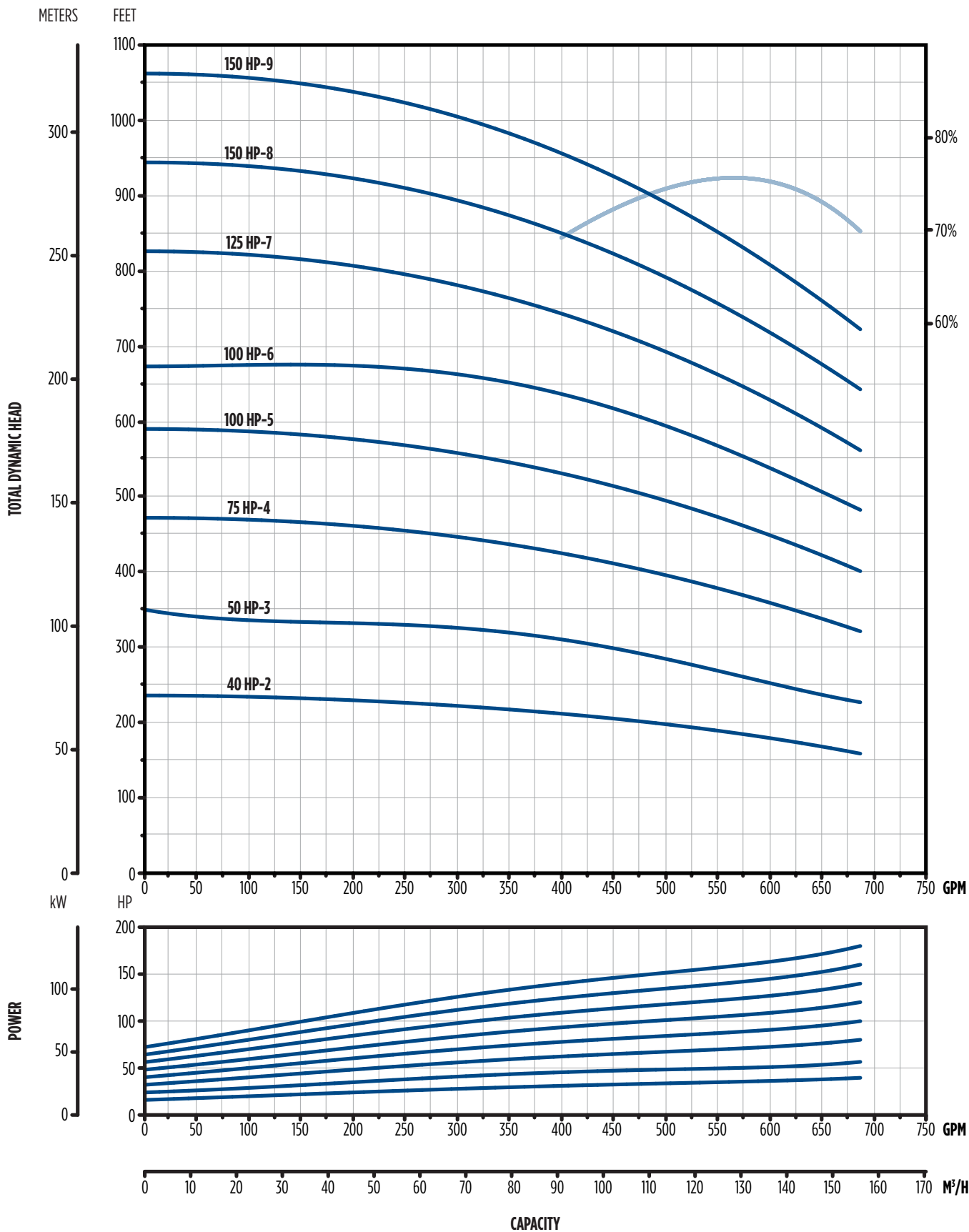
PERFORMANCE - 8" 425 GPM



PERFORMANCE - 8" 475 GPM

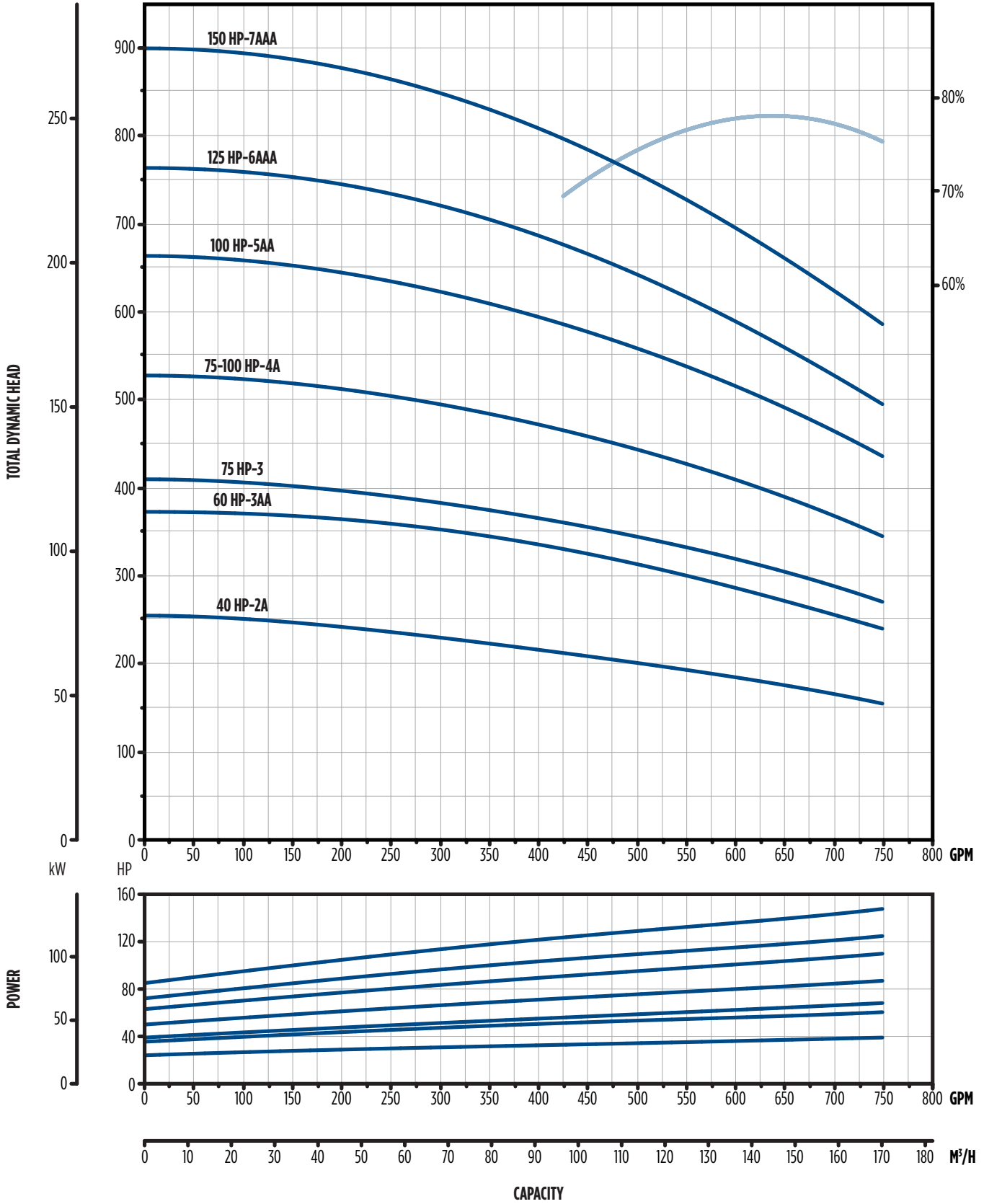


PERFORMANCE - 10" 550 GPM

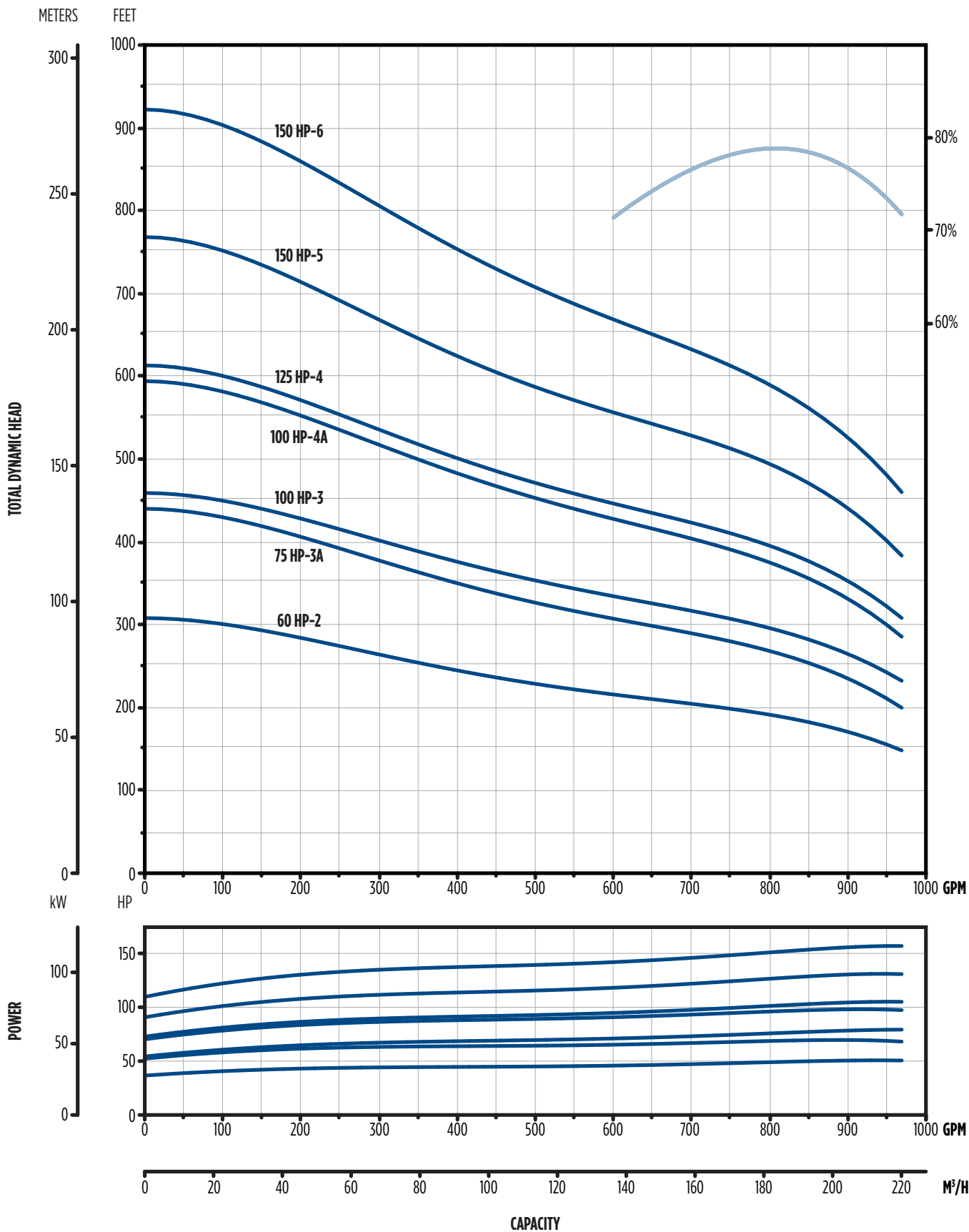


PERFORMANCE - 10" 625 GPM

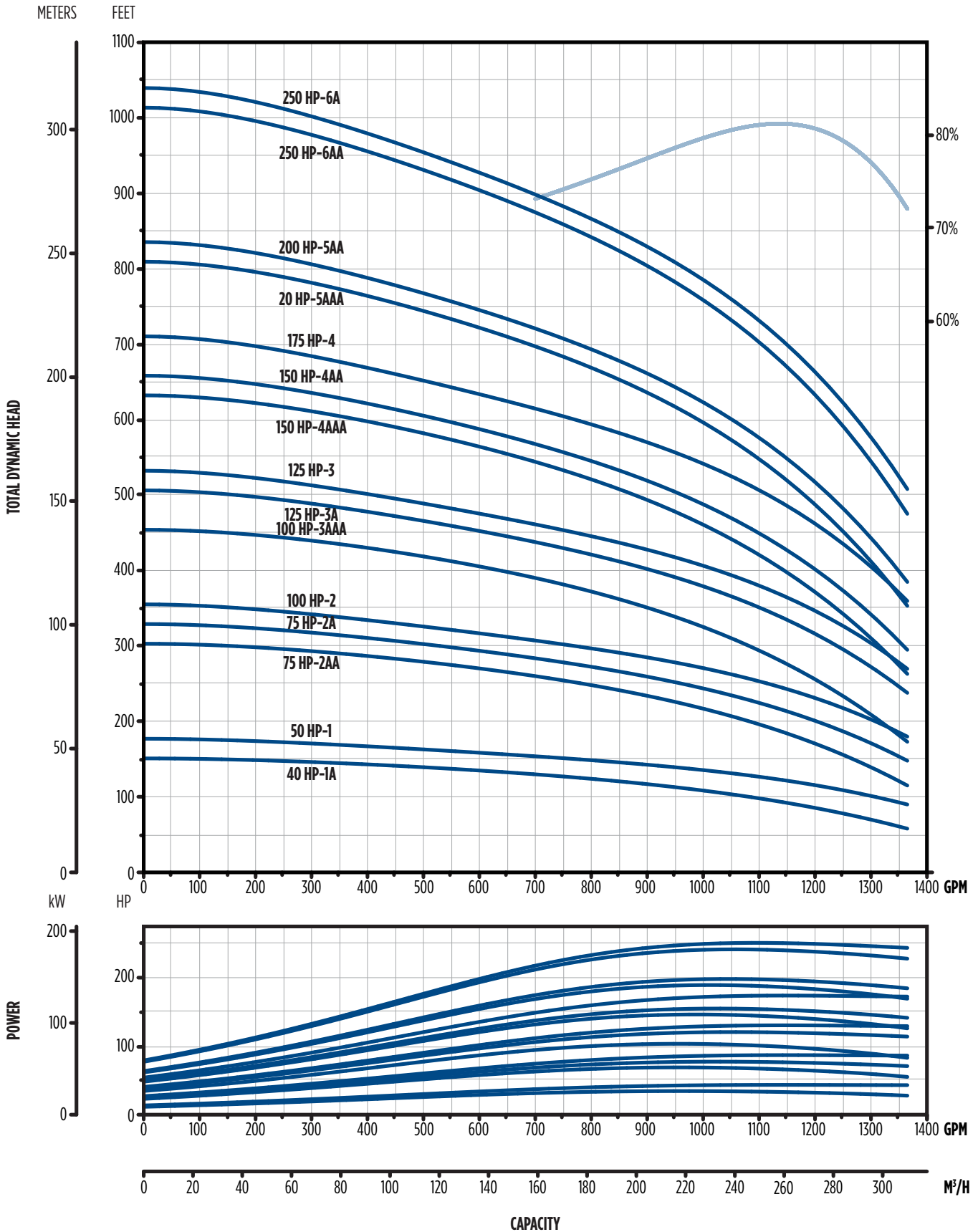
METERS FEET



PERFORMANCE - 10" 825 GPM



PERFORMANCE - 10" 1150 GPM



ORDERING INFORMATION - 6" 85-300 GPM

GPM	HP	Stages	Motor Size (in)	Discharge (NPT)	Order No.	Description
85	5	4	4	3"	616150401040082	85SSI05F66-0443
	7.5	7	4		616150701040082	85SSI07F66-0743
	7.5	7	6		616150702040082	85SSI07F66-0763
	10	9	6		616150902040082	85SSI10F66-0963
	15	12	6		616151202040082	85SSI12F66-1263
	15	14	6		616151402040082	85SSI15F66-1463
	20	18	6		616151802040082	85SSI20F66-1863
	20	20	6		616152002040082	85SSI20F66-2063
	25	23	6		616152302040082	85SSI25F66-2363
	25	25	6		616152502040082	85SSI25F66-2563
	30	27	6		616152702040082	85SSI30F66-2763
150	7.5	4	4	3"	616300401020082	150SSI07F66-0443
	7.5	4	6		616300402020082	150SSI07F66-0463
	10	6	6		616300602020082	150SSI10F66-0663
	15	7	6		616300702020082	150SSI15F66-0763
	15	8	6		616300802020082	150SSI15F66-0863
	20	10	6		616301002020082	150SSI20F66-1063
	20	12	6		616301202020082	150SSI20F66-1263
	25	15	6		616301502020082	150SSI25F66-1563
	30	17	6		616301702020082	150SSI30F66-1763
	30	19	6		616301902020082	150SSI30F66-1963
	40	24	6		616302402020082	150SSI40F66-2463
225	10	4	6	4"	616360402040082	225SSI10F66-0464
	15	5	6		616360502040082	225SSI15F66-0564
	15	6	6		616360602040082	225SSI15F66-0664
	20	7	6		616360702040082	225SSI20F66-0764
	20	8	6		616360802040082	225SSI20F66-0864
	25	9	6		616360902040082	225SSI20F66-0964
	25	11	6		616361102040082	225SSI25F66-1164
	30	13	6		616361302040082	225SSI30F66-1364
	40	16	6		616361602040082	225SSI40F66-1664
	40	18	6		616361802020082	225SSI40F66-1864
	50	21	6		616362102020082	225SSI50F66-2164
260	10	3	6	4"	616420302040082	260SSI10F66-0364
	15	4	6		616420402040082	260SSI15F66-0464
	15	5	6		616420502040082	260SSI15F66-0564
	20	6	6		616420602040082	260SSI20F66-0664
	25	7	6		616420702040082	260SSI25F66-0764
	25	8	6		616420802040082	260SSI25F66-0864
	30	10	6		616421002040082	260SSI30F66-1064
	40	13	6		616421302040082	260SSI40F66-1364
	50	16	6		616421602040082	260SSI50F66-1664
	60	19	6		616421902040082	260SSI60F66-1964
	300	15	4		6	4"
20		6	6	616600602020082	300SSI20F66-0664	
25		7	6	616600702020082	300SSI25F66-0764	
30		9	6	616600902020082	300SSI30F66-0964	
40		12	6	616601202020082	300SSI40F66-1264	
50		14	6	616601402020082	300SSI50F66-1464	
60		17	6	616601702020082	300SSI60F66-1764	

ORDERING INFORMATION - 8" 425-475 GPM

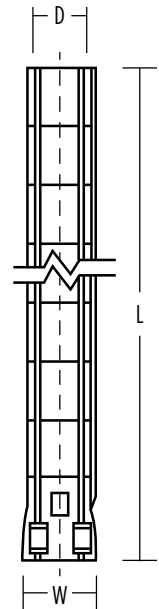
GPM	HP	Stages	Motor Size (in)	Discharge (NPT)	Order No.	Description
425	25	3	6	5"	617720301020082	425SSI25F86-0365
	30	4	6		617720401020082	425SSI30F86-0465
	40	5	6		617720501020082	425SSI40F86-0565
	50	6	6		617720601020082	425SSI50F86-0665
	50	7	6		617720701020082	425SSI50F86-0765
	60	8	6		617720801020082	425SSI60F86-0865
	75	10	8		617721002020082	425SSI75F86-1085
	100	11	8		617721102020082	425SSI100F86-1185
	100	13	8		617721302020082	425SSI100F86-1385
475	25	3	6	5"	617960301020082	475SSI25F86-0365
	40	4	6		617960401020082	475SSI40F86-0465
	40	5	6		617960501020082	475SSI40F86-0565
	50	6	6		617960601020082	475SSI50F86-0665
	60	7	6		617960701020082	475SSI60F86-0765
	75	8	8		617960802020082	475SSI75F86-0885
	100	10	8		617961002020082	475SSI100F86-1085
	100	11	8		617961102020082	475SSI100F86-1185
	100	12	8		617961202020082	475SSI100F86-1285
	125	14	8		617961402020082	475SSI125F86-1485
	125	15	8		617961502020082	475SSI125F86-1585

ORDERING INFORMATION - 10" 550-1150 GPM

GPM	HP	Stages	Motor Size (in)	Discharge (NPT)	Model	Description
550	40	2	6	6"	618080201020082	550SSI40F106-0266
	50	3	6		618080301020082	550SSI50F106-0366
	75	4	8		618080402020082	550SSI75F106-0486
	100	5	8		618080502020082	550SSI100F106-0586
	100	6	8		618080602020082	550SSI100F106-0686
	125	7	8		618080702020082	550SSI125F106-0786
	150	8	8		618080802020082	550SSI150F106-0886
	150	9	8		618080902020082	550SSI150F106-0986
	625	40	2A		6	6"
60		3AA	6	618120801020082	625SSI60F106-03AA66	
60		3	6	618120601020082	625SSI60F106-0366	
75		4A	8	618121102020082	625SSI75F106-04A86	
100		5AA	8	618121702020082	625SSI100F106-05AA86	
125		6AAA	8	618122202020082	625SSI125F106-06AAA86	
150		7AAA	8	618122602020082	625SSI150F106-07AAA86	
825	50	2	6	6"	618160301020082	825SSI50F106-0266
	60	3AAA	6		618160901020082	825SSI60F106-03AAA66
	75	3AAA	8		618160902020082	825SSI75F106-03AAA66
	75	3	8		618160602020082	825SSI75F106-0386
	100	4A	8		618161102020082	825SSI100F106-04A86
	100	4	8		618161002020082	825SSI100F106-0486
	125	5	8		618161502020082	825SSI125F106-0586
	150	6	8		618161902020082	825SSI150F106-0686
	1150	40	1A		8	6"
50		1	8	618210102020082	1150SSI50F106-0186	
75		2AA	8	618210502020082	1150SSI75F106-02AA86	
75		2A	8	618210402020082	1150SSI75F106-02A86	
100		2	8	618210302020082	1150SSI100F106-0286	
100		3AAA	8	618210902020082	1150SSI100F106-03AAA86	
125		3A	8	618210702020082	1150SSI125F106-03A86	
125		3	8	618210602020082	1150SSI125F106-0386	
150		4AAA	8	618211402020082	1150SSI150F106-04AAA86	
150		4AA	8	618211202020082	1150SSI150F106-04AA86	
150		4AAA	10	618211303020082	1150SSI150F106-04AAA106	
150		4AA	10	618211203020082	1150SSI150F106-04AA106	
175		4	10	618211003020082	1150SSI175F106-04106	
200		5AAA	10	618211803020000	1150SSI200F106-05AAA106	
200		5AA	10	618211703020082	1150SSI200F106-05AA106	

DIMENSIONS - 6" 85-300 GPM

GPM	HP	Stages	Dimensions (in)					Wt. (lbs)	
			Motor Size (in)	Discharge (NPT)	L 6"-4"	L 6"-6"	W	6"-4"	6"-6"
85	5	4	4	3"	20.12	-	5.23	22	-
	7.5	7	4		27.23	27.23	5.23	30.8	-
	7.5	7	6		27.23	27.23	5.23	30.8	33
	10	9	6		31.99	31.99	5.23	35.2	37.4
	15	12	6		-	39.14	5.23	-	46.2
	15	14	6		-	43.90	5.23	-	50.6
	20	18	6		-	53.41	5.23	-	61.6
	20	20	6		-	58.16	5.23	-	66
	25	23	6		-	65.91	5.23	-	77
	25	25	6		-	70.66	5.23	-	81.4
150	30	27	6	-	75.42	5.23	-	88	
	7.5	4	4	3"	25.62	25.62	5.23	26.4	33
	7.5	4	6		25.62	25.62	5.23	26.4	33
	10	6	6		-	33.17	5.23	35.2	39.6
	15	7	6		-	36.94	5.23	-	41.8
	15	8	6		-	40.71	5.23	-	46.2
	20	10	6		-	48.26	5.23	-	52.8
	20	12	6		-	55.81	5.23	-	59.4
	25	15	6		-	67.12	5.23	-	68.2
	30	17	6		-	74.67	5.23	-	74.8
30	19	6	-		82.22	5.23	-	81.4	
225	40	24	6	-	101.71	5.23	-	99	
	10	4	6	4"	-	28.45	5.70	-	30.8
	15	5	6		-	32.89	5.70	-	35.2
	15	6	6		-	37.34	5.70	-	39.6
	20	7	6		-	41.78	5.70	-	44
	20	8	6		-	46.22	5.70	-	48.4
	20	9	6		-	50.66	5.70	-	52.8
	25	11	6		-	59.54	5.70	-	63.8
	30	13	6		-	68.42	5.70	-	72.6
	40	16	6		-	81.74	5.70	-	85.8
40	18	6	-		90.63	5.70	-	94.6	
260	50	21	6	-	104.58	5.70	-	110	
	10	3	6	4"	-	24.01	5.70	-	26.4
	15	4	6		-	28.45	5.70	-	30.8
	15	5	6		-	32.89	5.70	-	35.2
	20	6	6		-	37.34	5.70	-	39.6
	25	7	6		-	41.78	5.70	-	44
	25	8	6		-	46.22	5.70	-	48.4
	30	10	6		-	55.10	5.70	-	57.2
	40	13	6		-	68.42	5.70	-	72.6
	50	16	6		-	81.74	5.70	-	85.8
60	19	6	-		95.07	5.70	-	99	
300	15	4	6	4"	-	28.45	5.86	-	30.8
	20	6	6		-	37.34	5.86	-	39.6
	25	7	6		-	41.78	5.86	-	44
	30	9	6		-	50.66	5.86	-	52.8
	40	12	6		-	63.98	5.86	-	66
	50	14	6		-	72.86	5.86	-	74.8
	60	17	6		-	86.18	5.86	-	88

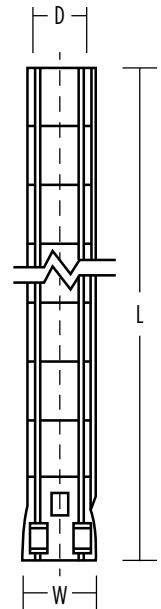


NOTE: Dimensions are solely for estimation purposes; 1 mm = 0.0393" (rounded); 1 kg = 2.2 lbs (rounded)

DIMENSIONS - 8" 425-475 GPM

GPM	HP	Stages	Dimensions (in)					Wt. (lbs)		
			Motor Size (in)	Discharge (NPT)	L 8"-6"	L 8"-8"	W 8"-6"	W 8"-8"	8"-6"	8"-8"
425	25	3	6	5"	32.46	-	6.84	-	63.8	-
	30	4	6		37.49	-	6.84	-	70.4	-
	40	5	6		42.52	42.95	6.84	7.15	77.0	79.2
	50	6	6		47.55	47.99	6.84	7.15	85.8	88.0
	50	7	6		52.58	53.02	6.84	7.15	92.4	96.8
	60	8	6		57.61	58.05	6.84	7.15	99.0	105.6
	75	10	8		-	68.11	-	7.15	-	121.0
	100	11	8		-	73.14	-	7.15	-	129.8
	100	13	8		-	83.20	-	7.15	-	147.4
475	25	3	6	5"	32.46	-	6.84	-	63.8	-
	40	4	6		37.49	37.92	6.84	7.15	70.4	77.0
	40	5	6		42.52	42.95	6.84	7.15	77.0	81.4
	50	6	6		47.55	47.99	6.84	7.15	83.6	88.0
	60	7	6		52.58	53.02	6.84	7.15	90.2	92.4
	75	8	8		-	58.05	-	7.15	-	99.0
	100	10	8		-	68.11	-	7.15	-	110.0
	100	11	8		-	73.14	-	7.15	-	116.6
	100	12	8		-	78.17	-	7.15	-	121.0
	125	14	8		-	88.23	-	7.15	-	132.0
	125	15	8		-	93.26	-	7.15	-	138.6

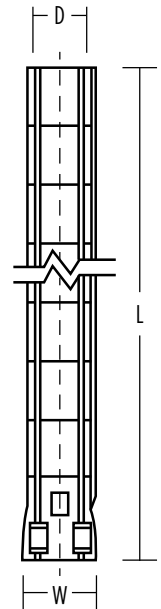
NOTE: Dimensions are solely for estimation purposes; 1 mm = 0.0393" (rounded); 1 kg = 2.2 lbs (rounded)



DIMENSIONS - 10" 550-1150 GPM

GPM	HP	Stages	Dimensions (in)					Wt. (lbs)	
			Motor Size (in)	Discharge (NPT)	L 10"-6"	L 10"-8"	W	10"-6"	10"-8"
550	40	2	6	6"	30.0252	30.0252	8.19	79.2	81.4
	50	3	6		36.156	36.156	8.19	92.4	94.6
	75	4	8		-	42.2868	8.19	-	110
	100	5	8		-	48.4176	8.19	-	121
	100	6	8		-	54.5484	8.19	-	136.4
	125	7	8		-	60.6792	8.19	-	149.6
	150	8	8		-	66.81	8.19	-	162.8
	150	9	8		-	72.9408	8.19	-	176
625	40	2A	6	6"	70.5042	70.8972	8.19	79.2	81.4
	60	3AA	6		86.067	80.565	8.19	92.4	94.6
	60	3	6		-	83.709	8.19	-	94.6
	75	4A	8		-	92.5908	8.19	-	110
	100	5AA	8		-	104.6166	8.19	-	121
	125	6AAA	8		-	118.2144	8.19	-	123.2
	150	7AAA	8		-	60.6792	8.19	-	149.6
825	50	2	6	6"	30.0252	30.0252	8.19	79.2	-
	60	3AAA	6		36.156	36.156	8.19	94.6	-
	60	3AAA	8		36.156	36.156	8.19	-	94.6
	75	3	8		-	36.156	8.19	-	94.6
	100	4A	8		-	42.2868	8.19	-	110
	100	4	8		-	42.2868	8.19	-	110
	125	5	8		-	48.4176	8.19	-	123.2
	150	6	8		-	54.5484	8.19	-	138.6
1150	40	1A	8	6"	71.3688	-	9.12	308	-
	50	1	8		72.5478	-	9.12	321.2	-
	75	2AA	8		84.9666	-	9.12	389.4	-
	75	2A	8		86.5386	-	9.12	404.8	-
	100	2	8		91.0581	-	9.12	448.8	-
	100	3AAA	8		100.5294	-	9.12	479.6	-
	125	3A	8		103.2804	-	9.12	554.4	-
	125	3	8		107.9964	97.1496	9.12	554.4	660
	150	4AAA	8		122.1837	108.7824	9.12	642.4	660
	150	4AA	8		122.1837	108.7824	9.12	642.4	726
	150	4AAA	10		-	108.7824	9.12	-	726
	150	4AA	10		-	108.7824	9.12	-	726
	175	4	10		-	113.4984	9.12	-	814
	200	5AAA	10		-	123.9522	9.12	-	880
	200	5AA	10		-	123.9522	9.12	-	880
	250	6AA	10		-	138.729	9.12	-	1020.8
	250	6A	10		-	138.729	9.12	-	1020.8

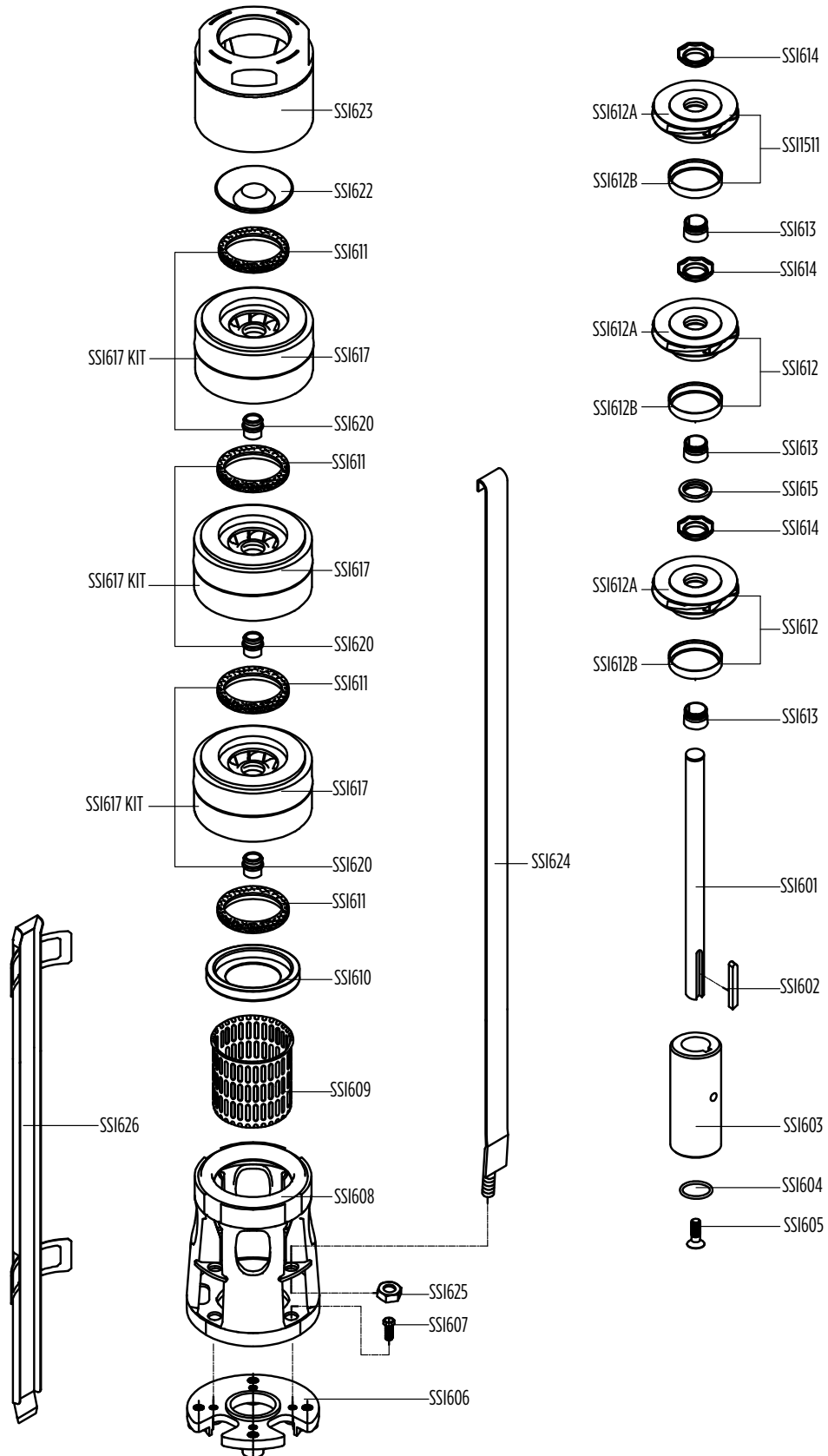
NOTE: Dimensions are solely for estimation purposes; 1 mm = 0.0393" (rounded); 1 kg = 2.2 lbs (rounded)



MATERIALS - 6" 85 GPM

Figure No.	Description	Material	Type
SSI601	Shaft	Stainless Steel	402
SS602	Shaft Key	Stainless Steel	304
SSI603	Coupling	Stainless Steel	420
SSI604	O-ring	Nitrile	-
SSI605	Coupling	Stainless Steel	304
SSI606	Flange	Stainless Steel	420
SSI607	Flange Screw	Stainless Steel	304
SSI608	Bracket	Stainless Steel	304
SSI609	Filter	Stainless Steel	304
SSI610	Neck Ring Retainer	Stainless Steel	304
SSI611	Neck Ring	Nitrile / Steel Class 42	-
SSI612A	Impeller	Stainless Steel	304
SSI612B	Impeller Wear Ring	Stainless Steel	304
SSI613	Split Cone	Stainless Steel	304
SSI614	Split Cone Nut	Stainless Steel	304
SSI615	Spacing Washer for Retaining Ring	Thermoplastic Composite	-
SSI617	Diffuser	Stainless Steel	304
SSI617KIT	Diffuser	Stainless Steel	304
	Bushing	Nitrile	-
	Neck Ring	Nitrile / Steel Class 42	-
SSI620	Bushing	Nitrile	-
SSI622	Cone Valve	Stainless Steel	304
SSI624	Strap	Stainless Steel	304
SSI625	Strap Nut	Stainless Steel	304
SSI626	Cable Guard	Stainless Steel	304

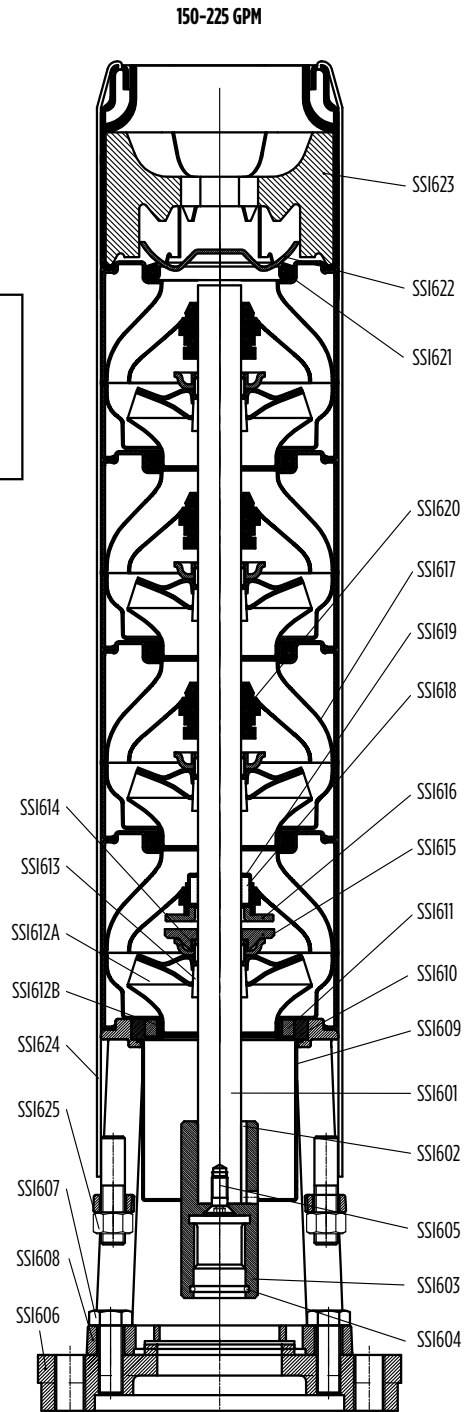
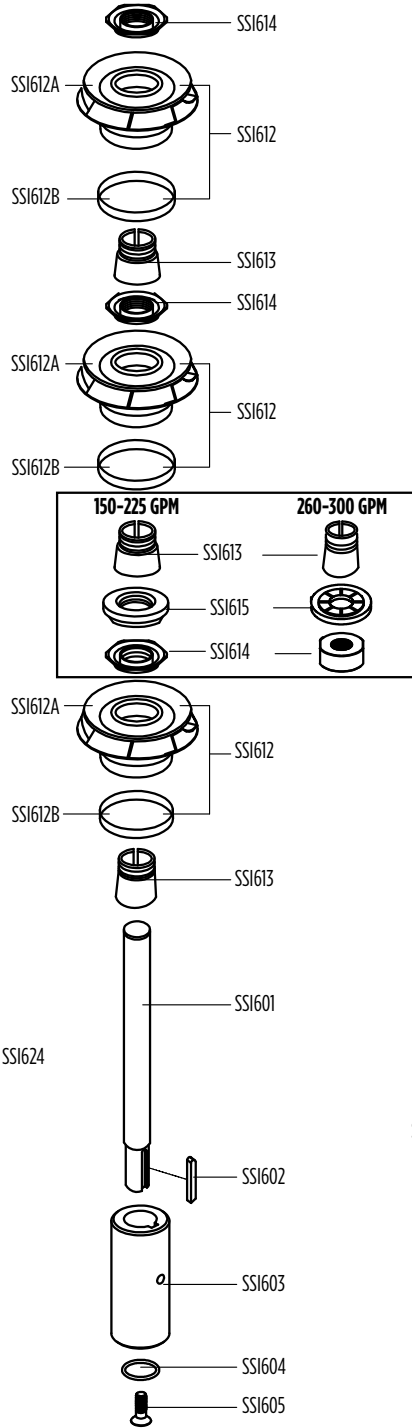
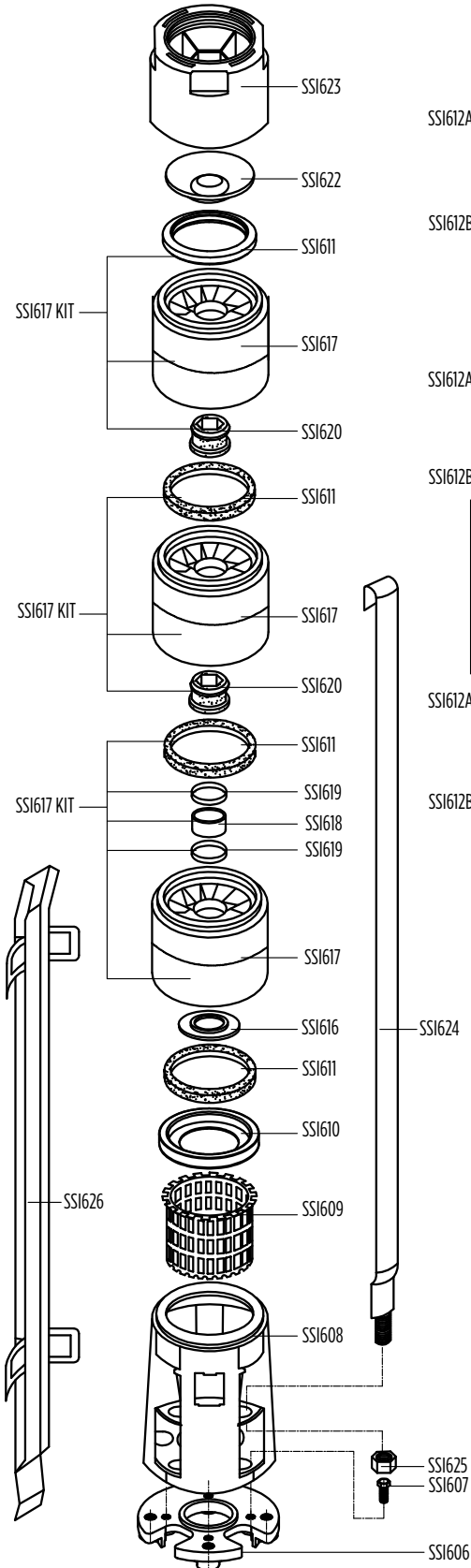
MATERIALS - 6" 85 GPM



MATERIALS - 6" 150-300 GPM

Figure No.	Description	Material	Type
SSI601	Shaft	Stainless Steel	AISI 420
SS602	Shaft Key	Stainless Steel	AISI 304
SSI603	Coupling	Stainless Steel	AISI 420
SSI604	O-ring	Nitrile	-
SSI605	Coupling Screw	Stainless Steel	AISI 304
SSI606	Flange	Stainless Steel	AISI 420
SSI607	Flange Screw	Stainless Steel	AISI 304
SSI608	Bracket	Stainless Steel	AISI 304
SSI609	Filter	Stainless Steel	AISI 304
SSI610	Neck Ring Retainer	Stainless Steel	AISI 304
SSI611	Neck Ring	Nitrile / Steel Class 42	-
SSI612A	Impeller	Stainless Steel	AISI 304
SSI612B	Impeller Wear Ring	Stainless Steel	AISI 304
SSI613	Split Cone	Stainless Steel	AISI 304
SSI614	Split Cone Nut	Stainless Steel	AISI 304
SSI615	Spacing Washer for Retaining Ring	Thermoplastic Composite	-
SSI616	Retaining Ring	Stainless Steel	AISI 304
SSI617	Diffuser	Stainless Steel	AISI 304
SSI617-A KIT	Diffuser	Stainless Steel	AISI 304
	Bushing	Nitrile / Steel Class 42	-
	Diffuser Bushing Sleeve	Nitrile / Steel Class 42	-
	Neck Ring	Nitrile / Steel Class 42	-
SSI617KIT	Diffuser	Stainless Steel	AISI 304
	Bushing	Nitrile	-
	Neck Ring	Nitrile / Steel Class 42	-
SSI617-B KIT	Diffuser	Stainless Steel	AISI 304
	Bushing	Nitrile	-
	Valve Seat	Nitrile / Steel Class 42	-
SSI618	Bushing	Nitrile / Steel Class 42	-
SSI619	Diffuser Bushing Sleeve	Nitrile / Steel Class 42	-
SSI620	Bushing	Nitrile	-
SSI621	Valve Seat	Nitrile / Steel Class 42	-
SSI622	Cone Valve	Stainless Steel	AISI 304
SSI623	Discharge Head (Normal 3" NPT)	Stainless Steel	AISI 304
SSI624	Strap	Stainless Steel	AISI 304
SSI625	Strap Nut	Stainless Steel	AISI 304
SSI626	Cable Guard	Stainless Steel	AISI 304

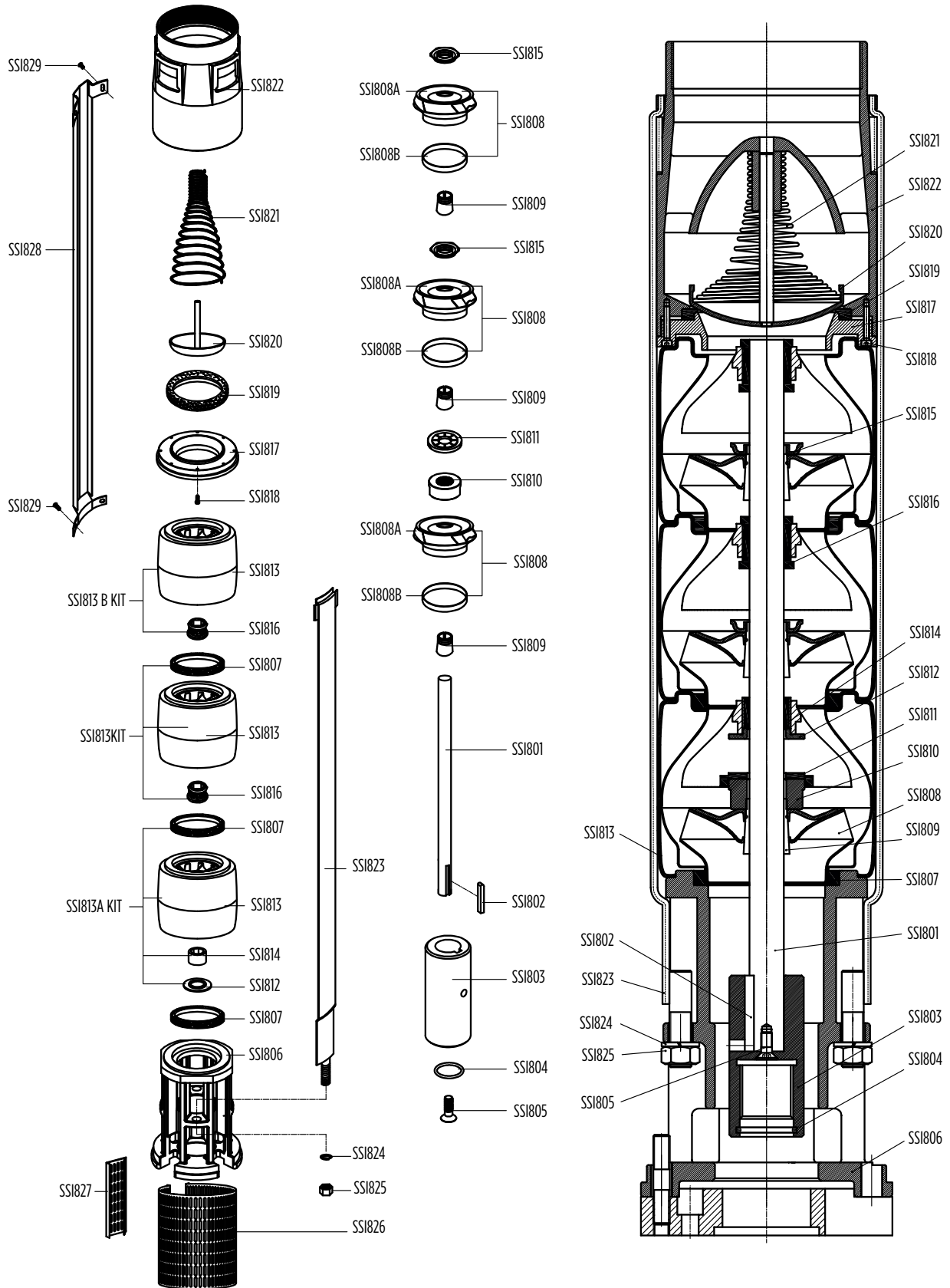
MATERIALS - 6" 150-300 GPM



MATERIALS - 8" 425-475 GPM

Figure No.	Description	Material	Type
SSI801	Shaft	Stainless Steel	420
SS802	Shaft Key	Stainless Steel	304
SSI803	Coupling	Stainless Steel	420
SSI804	O-ring	Nitrile	-
SSI805	Coupling Screw	Stainless Steel	304
SSI806	Bracket	Stainless Steel	304
SSI807	Neck Ring	Nitrile / Steel Class 42	-
SSI808-A	Impeller	Stainless Steel	304
SSI808-B	Impeller Wear Ring	Stainless Steel	304
SSI809	Split Cone	Stainless Steel	304
SSI810	Retaining Ring Locknut	Stainless Steel	304
SSI811	Spacing Washer for Retaining Ring	Thermoplastic Composite	-
SSI812	Retaining Ring	Stainless Steel	304
SSI813	Diffuser	Stainless Steel	304
SSI813-A KIT	Diffuser	Stainless Steel	304
	Neck Ring	Nitrile / Steel Class 42	-
	Bushing	Nitrile / Steel Class 42	-
	Retaining Ring	Stainless Steel	304
SSI813 KIT	Diffuser	Stainless Steel	304
	Bushing	Nitrile	-
	Neck Ring	Nitrile / Steel Class 42	-
SSI813-B KIT	Diffuser	Stainless Steel	304
	Bushing	Nitrile	-
SSI814	Bushing	Nitrile / Steel Class 42	-
SSI815	Split Cone Locknut	Stainless Steel	304
SSI816	Valve Ring Screw	Nitrile	-
SSI817	Valve Ring	Stainless Steel	304
SSI818	Valve Cone	Stainless Steel	304
SSI819	Valve Seat	Nitrile	-
SSI820	Valve Cone	Stainless Steel	304
SSI821	Valve Spring	Stainless Steel	304
SSI822	Discharge Head (5" Normal)	Stainless Steel	304
SSI823	Strap	Stainless Steel	304
SSI824	Strap Washer	Stainless Steel	304
SSI825	Strap Nut	Stainless Steel	304
SSI826	Filter	Stainless Steel	304
SSI827	Filter Lock	Stainless Steel	304
SSI828	Cable Guard	Stainless Steel	304
SSI829	Cable Guard Screw	Stainless Steel	304

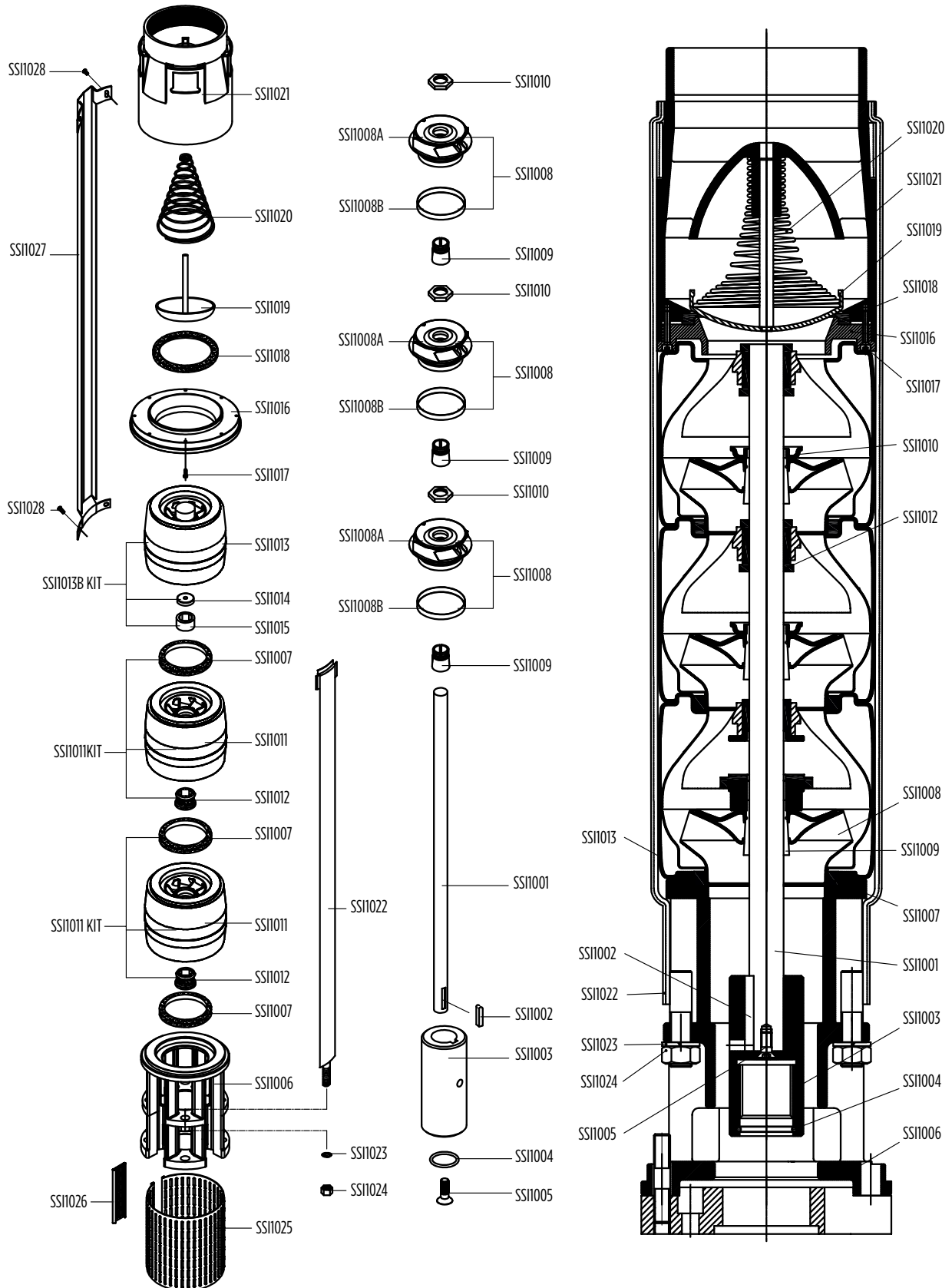
MATERIALS - 8" 425-475 GPM



MATERIALS - 10" 550-1150 GPM

Figure No.	Description	Material	Type
SSI1001	Shaft	Stainless Steel	420
SSI1002	Shaft Key	Stainless Steel	304
SSI1003	Coupling	Stainless Steel	420
SSI1004	O-ring	Nitrile	-
SSI1005	Coupling Screw	Stainless Steel	304
SSI1006	Bracket	Stainless Steel	304
SSI1007	Neck Ring	Nitrile / Steel Class 42	-
SSI1008-A	Impeller	Stainless Steel	304
SSI1008-B	Impeller Wear Ring	Stainless Steel	304
SSI1009	Split Cone	Stainless Steel	304
SSI1010	Split Cone Nut	Stainless Steel	304
SSI1011	Diffuser	Stainless Steel	304
SSI1011 KIT	Diffuser	Stainless Steel	304
	Neck Ring	Nitrile / Steel Class 42	-
	Bushing	Nitrile	-
SSI1012	Bushing	Nitrile	-
SSI1013	Diffuser for Discharge	Stainless Steel	304
SSI1013-B KIT	Diffuser for Discharge	Stainless Steel	304
	Bushing	Nitrile / Steel Class 42	-
	Spacing Washer for Retaining Ring	Thermoplastic Composite	-
SSI1014	Spacing Washer for Retaining Ring	Thermoplastic Composite	-
SSI1015	Bushing	Nitrile / Steel Class 42	-
SSI1016	Ring Valve	Stainless Steel	304
SSI1017	Ring Valve Screw	Stainless Steel	304
SSI1018	Valve Seat	Nitrile / Steel Class 42	-
SSI1019	Valve Cone	Stainless Steel	304
SSI1020	Valve Spring	Stainless Steel	304
SSI1021	Discharge Head (Normal 6" NPT)	Stainless Steel	304
SSI1022	Strap	Stainless Steel	304
SSI1023	Washer Strap	Stainless Steel	304
SSI1024	Strap Nut	Stainless Steel	304
SSI1025	Filter	Stainless Steel	304
SSI1026	Filter Lock	Stainless Steel	304
SSI1027	Cable Guard	Stainless Steel	304
SSI1028	Cable Guard Screw	Stainless Steel	304

MATERIALS - 10" 550-1150 GPM



**ASEAN, TAIWAN, BANGLADESH,
SRI LANKA, PAKISTAN**

Franklin Electric (SEA) Pte. Ltd.
17 Changi Business Park Central 1
06-05, Honeywell Building
Singapore 486 073

Phone: +65.6789.6865
Fax: +65.6789.0155
Email: fesea@fele.com

LATIN AMERICA

Motores Franklin S.A. de C.V.
Avenida Churubusco #1600
(Bodega #16)
Col. Francisco I. Madero
Monterrey, N.L.
Mexico C.P. 64560

Phone: +52.81.8000.1000
Fax: +52.818.864.8445

AUSTRALIA / NEW ZEALAND

Franklin Electric (Australia) Pty. Ltd.
106 - 110 Micro Circuit
Dandenong South, Victoria 3175
Australia

Phone: +61.3.9799.5000
Fax: +61.3.9799.5050
Hotline: 1.300 FRANKLIN (1.300.372.655)

KOREA

Franklin Electric B.V. Korea
Room 502
(BangBaeDong, BangBae The O Superium#1)
3-4 SeoCho-Daero
SeoCho-Gu, Seoul 137-974
Republic of Korea

Phone: +82.2.3473.3353
Fax: +82.2.3473.3352

CHINA

Franklin Electric (Shanghai) Co. Ltd.
Unit 1002-03, Shanghai Central Plaza
No. 227, Huang Pi Bei Road
Shanghai 200003, China

Phone: +86.21.6327.0909
Fax: +86.21.6327.0910

UNITED STATES

Franklin Electric Co., Inc.
9255 Coverdale Road
Fort Wayne, Indiana 46809
USA

Phone: +1.260.824.2900
Fax: +1.260.824.2909

JAPAN

Franklin Electric International, Inc.
Aoba Bldg. 4F
1-14-7, Sugamo
Toshima-Ku, Tokyo 170-0002, Japan

Phone: +81.3.5319.1251
Fax: +81.3.5319.1252

